

Data sheet

Safety relief valves

Type SFA 15 and SFA 15-50



SFA 15 and SFA 15-50 are standard, **back pressure dependent** safety relief valves in angle-way execution, specially designed for protection of vessels and other components against excessive pressure.

SFA 15-50 has a 50% reduced capacity compared to SFA 15.

The valve is designed to meet the strict quality demands and safety requirements for refrigeration installations, specified by the international classification societies.

The spring housing is closed tightly to avoid refrigerant leakage.

The inlet flow diameters of the valves are:
- 13 mm (½ in.) for both SFA 15 and SFA 15-50

The valves can be delivered with set pressures between 10 and 40 bar g (145 and 580 psi g).

Standard pressure setting valves having "TÜV Pressure Setting Certificate" with each valve, are also available.

Features

- Applicable for the refrigerants HCFC, HFC, R717 (Ammonia), R744 (CO₂) within a temperature range of -50°C*/+100°C (-58°F*/+212°F)
- Classification: DNV, CRN, BV, EAC etc. To get an updated list of certification on the products please contact your local Danfoss Sales Company.

Technical data

- *Refrigerants*
Applicable for the refrigerants HCFC, HFC, R717 (Ammonia), R744 (CO₂) within a temperature range of -50°C*/+100°C (-58°F*/+212°F). Flammable hydrocarbons are not recommended. For further information please contact your local Danfoss Sales Company.
- *Pressure*
Pressure setting range: 10 - 40 bar g (145 - 580 psi g). For further information please contact your local Danfoss Sales Company.

Important: The SFA safety relief valve is dependent on the back pressure (if the back pressure is higher than the atmospheric pressure, the opening pressure will be higher than stated set pressure).
- *Pressure setting*
The operating pressure of the plant should be at least 15% below the set pressure. This allows a perfect re-seating of the safety relief valve after having been activated.
- *Temperature range*
-50°C*/+100°C (-58°F*/+212°F)

* Below -30°C (-22°F) full tightness can only be guaranteed when refrigerant pressure is equal to or lower than 0.5 x P_{set}

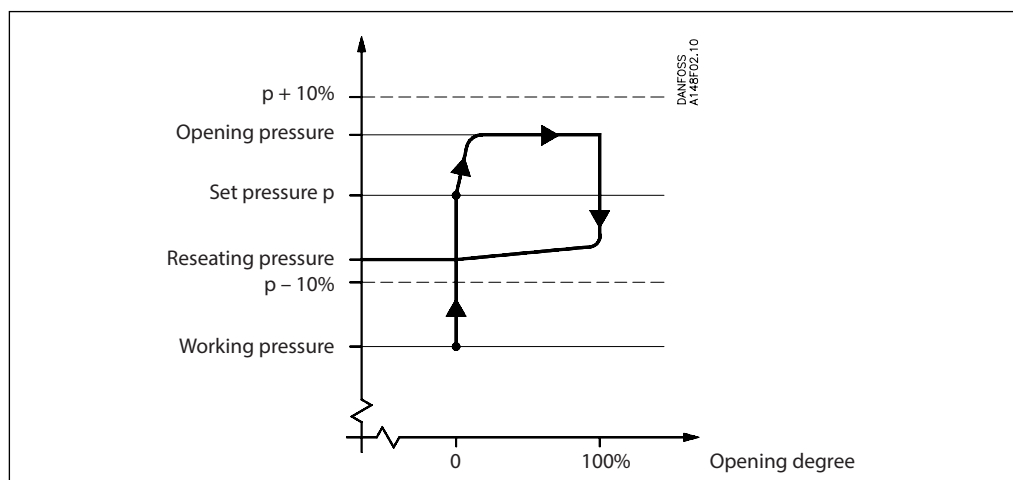


Pressure Equipment Directive (PED)

The SFA valves are approved in accordance with the European standard specified in the Pressure Equipment Directive and are CE marked. For further details / restrictions - see Installation Instruction

SFA valves	
Nominal bore	13 mm (0.512 in.)
Classified for	Fluid group I
Category	IV

Design



SFA is designed as a direct loaded safety valve recommended particularly for refrigeration applications. On a rise in pressure above the set pressure, the safety relief valve will initially start opening slightly, to minimise the outlet of

refrigerant. If the pressure continues to increase, the valve will open fully. The safety relief valve will be fully open before the pressure is 10% higher than set pressure, and fully closed before the pressure is 10% below set pressure.

Connections

Available with the following connections:

- Outside pipe thread T (ISO 228/1)
- Welding fittings (EN 10220)

Housing

Made of special steel approved for low temperature operation. Spindle, cone, and seat are made of stainless steel, to ensure precise operation even during extraordinary conditions. The gasket of the valve cone is made of a special chloroprene (neoprene) compound.

Installation

To ensure exact operation of the safety relief valve it should be installed with the spring housing upwards. When the valve is mounted, it is important to avoid the influence of static, dynamic and thermal stress.

A very precise technique has been applied for the production of the seal. However, this seal can still be damaged, if dirt is blown from the pipe system into the valve.

It is recommended that safety relief valves exhaust into the open air with a U-pipe filled with oil on the discharge branch, to prevent dirt from penetrating into the valve. It is also recommended that the valves be installed in pairs in conjunction with the double stop valve type DSV 1 or 2. For further information please see the technical leaflet for DSV.

Re-calibration/servicing

In certain countries the authorities demand that the valves are checked at least once a year (see local rules).

Control/Identification

After adjustment of the set pressure at Danfoss, the valves are sealed. For that reason Danfoss can only guarantee correct operation, as long as the seal remains unbroken.

All valves are provided with a metal plate with the following information:

- Flow diameter
- Set pressure
- Date of production
- Production number
- Type approved code.

Transport/Handling

The valves are fitted with special protection covers and packed into purpose made transportation cartons.

It is important that the cover remains fitted around the valve until it is installed.

To ensure the exact and precise operation of the valve it must be handled with care.

Safety valve	Double stop valve		Max. pressure
	CE marked	Not CE marked	
SFA 15 and SFA 15-50	DSV 1		40 bar (580 psi)
	DSV 2		40 bar (580 psi)
		DSV 15	25 bar (363 psi)

Capacity

The design and construction of the safety relief valve has been tested and approved by TÜV. This test comprises control of the function of the valve as well as measuring of the capacity, which is the basis of the curves and tables on the following pages. The values in the table are based on saturated gas.

If e.g. back pressure or superheated gas have to be taken into consideration, the formulas or the Danfoss computation program (Coolselector2™) can be used.

Table 1.

Valve	Nominal size		Flow diameter d _o	Flow area A ₀	De-rated, certified coefficient of discharge K _{dr}	Effective discharge area A ₀ × K _{dr}
	Inlet	Outlet				
SFA 15	15 mm	20 mm	13 mm	133 mm ²	0.73	97 mm ²
	½ in.	¾ in.	0.512 in.	0.206 in ²		0.150 in ²
SFA 15-50	15 mm	20 mm	13 mm	133 mm ²	0.39	52 mm ²
	½ in.	¾ in.	0.512 in.	0.206 in ²		0.080 in ²

The discharge capacity of the safety relief valves are based on (ISO 4126-1 / EN 1313 6).

$$q_m = 0.2883 \times C \times A_0 \times K_{dr} \times K_b \sqrt{v}$$

q_m Discharge capacity (kg/h).

C Discharge function depending of the actual refrigerant (κ) see table 2 (-).

A₀ Flow area of the safety relief valve (mm²).

K_{dr} De-rated coefficient of discharge (K_{dr} = K_d × 0.9), (the K_{dr} is certified by TÜV) see table 1 (-).

K_b Correction factor for sub-critical flow (-).

K_b = 1.0 when the back pressure is lower than approx. 0.5 × relieving pressure (P_b < 0.5 × p).

For all SFV safety valves K_b = 1.0

v Specific volume of the vapour at the relieving pressure p. (m³/kg).

p_{set} Set pressure, the predetermined pressure at which a pressure relief valve under operation starts to open (p_{set} is indicated on the metal plate on the safety relief valve).
(bar gauge)

p_{atm} Atmospheric pressure (1 bar).

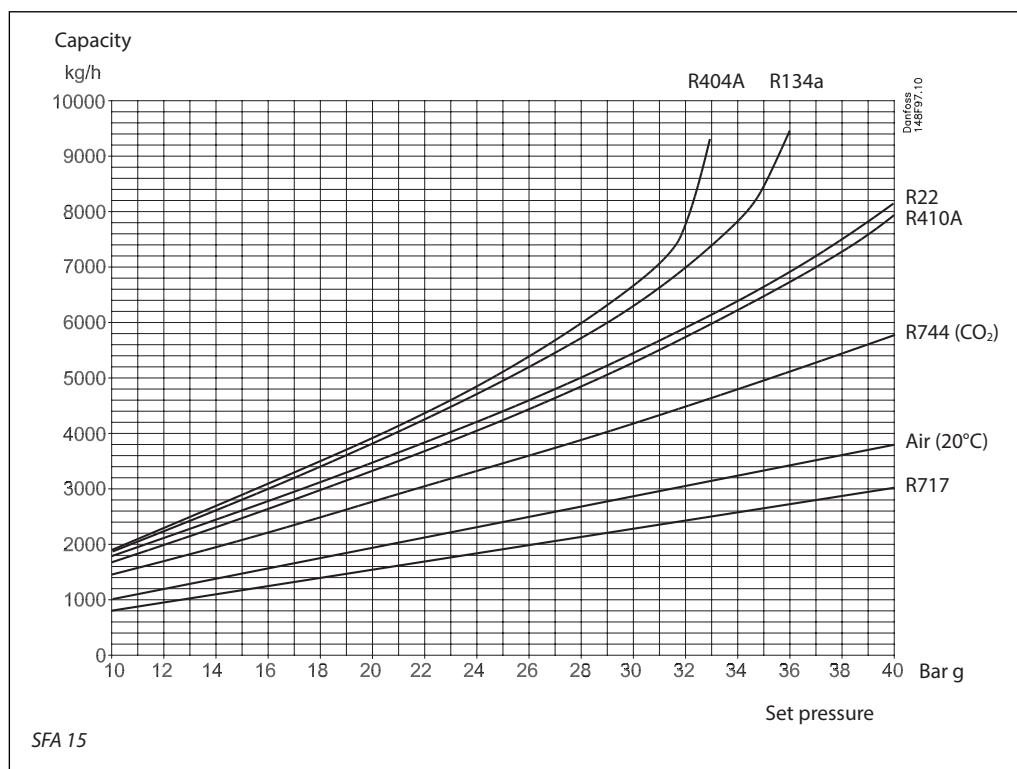
p Relieving pressure, p = p_{set} × 1.1 + P_{atm} (bar absolute).

For further details see the above-mentioned ISO or EN standards.

Table 2. Properties of refrigerants

Refrigerant	Isentropic exponent κ	Discharge function C
R22	1.17	2.54
R134a	1.12	2.50
R404A	1.12	2.49
R410A	1.17	2.54
R717 (Ammonia)	1.31	2.64
R744 (CO ₂)	1.30	2.63
Air	1.40	2.70

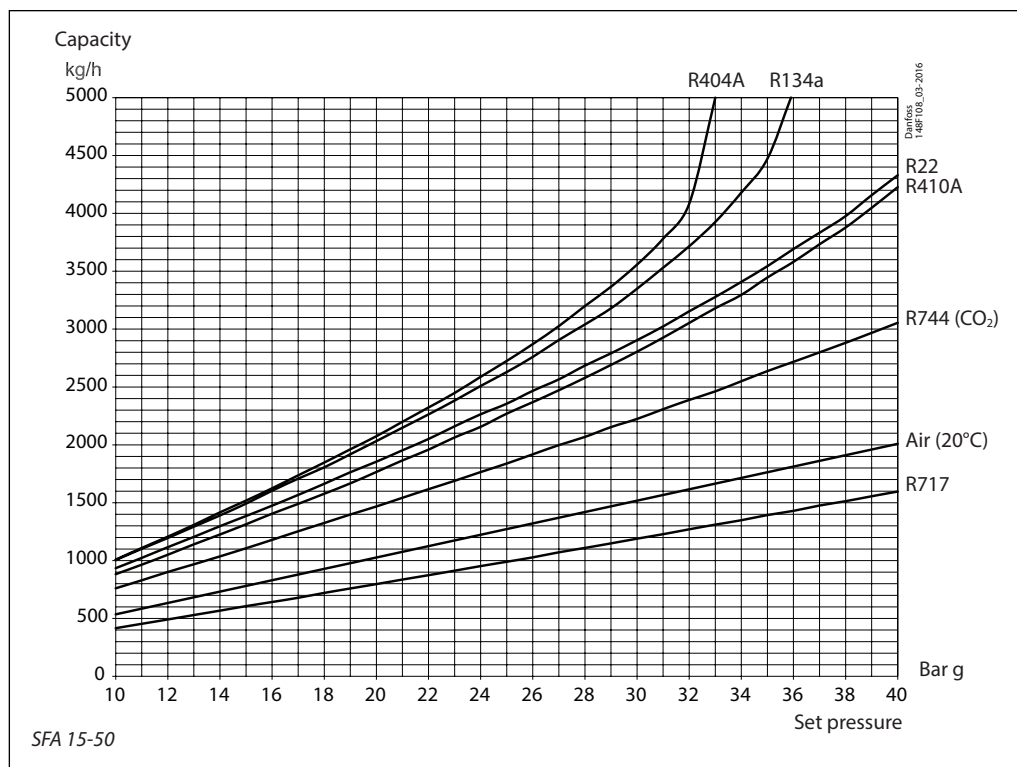
Capacity



Capacity

Set pressure	qm	R22	R134a	R404A	R410A	R717	R744 (CO ₂)	Air (20°C)
SFA 15								
10 bar g	kg/h	1749	1881	1888	1652	779	1424	1003
145 psi g	lb/min	64	69	69	61	29	52	37
15 bar g	kg/h	2592	2793	2842	2459	1135	2072	1462
218 psi g	lb/min	95	103	104	90	42	76	54
20 bar g	kg/h	3471	3804	3883	3305	1492	2747	1922
290 psi g	lb/min	128	140	143	121	55	101	71
25 bar g	kg/h	4409	4921	5101	4248	1853	3441	2381
363 psi g	lb/min	162	181	187	156	68	126	87
30 bar g	kg/h	5437	6269	6659	5250	2227	4163	2841
435 psi g	lb/min	200	230	245	193	82	153	104
35 bar g	kg/h	6633	8370		6450	2608	4936	3301
508 psi g	lb/min	244	308		237	96	181	121
40 bar g	kg/h	8104			7911	2989	5718	3760
580 psi g	lb/min	298			291	110	210	138

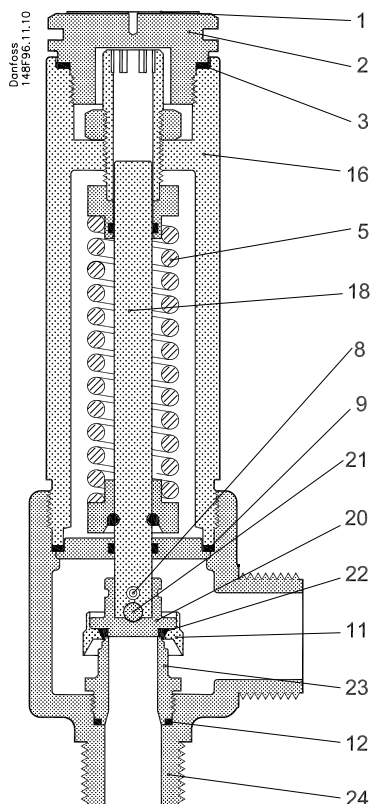
Capacity



Capacity

Set pressure	qm	R22	R134a	R404A	R410A	R717	R744 (CO ₂)	Air (20°C)
SFA 15-50								
10 bar g	kg/h	935	1005	1009	883	416	761	536
145 psi g	lb/min	34	37	37	32	15	28	20
15 bar g	kg/h	1385	1492	1519	1314	607	1107	781
218 psi g	lb/min	51	55	56	48	22	41	29
20 bar g	kg/h	1854	2033	2075	1766	797	1468	1027
290 psi g	lb/min	68	75	76	65	29	54	38
25 bar g	kg/h	2356	2629	2725	2270	990	1838	1272
363 psi g	lb/min	87	97	100	83	36	68	47
30 bar g	kg/h	2905	3349	3557	2805	1190	2224	1518
435 psi g	lb/min	107	123	131	103	44	82	56
35 bar g	kg/h	3544	4472		3446	1393	2637	1763
508 psi g	lb/min	130	164		127	51	97	65
40 bar g	kg/h	4329			4226	1597	3055	2009
580 psi g	lb/min	159			155	59	112	74

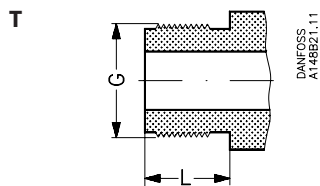
Material specification



No.	Part	Material	DIN	ISO	ASTM
1	Marking label	Stainless steel			
2	Threaded plug	Steel			
3	Packing washer	Aluminium (Non-asbestos gasket)			
5	Spring	Steel	Class C, DIN17223		
8	Split	Steel	94 ELFORZ		
9	Packing washer	Aluminium (Non-asbestos gasket)			
11	Retainer	Stainless steel	X8CrNiS 18 9		AISI 303, A276
12	Packing washer	Aluminium (Non-asbestos gasket)			
16	Valve top	Steel	G20Mn5QT Alt. S235JRG2 Alt. S355J2G3	Fe360BFN Fe510D1	LCC, A352 A284C A572-50
18	Valve spindle	Stainless steel	X5CrNi 18 10		AISI 304, A276
20	Valve cone	Stainless steel	X8CrNiS 18 9		AISI 303, A276
21	Steel ball	Steel			
22	Valve cone seal	Cloroprene (Neoprene)			
23	Valve seat	Stainless steel	X8CrNiS 18 9		AISI 303, A276
24	Valve housing	Steel	G20Mn5QT Alt. P285QH		LCC, A352 LF2, A350

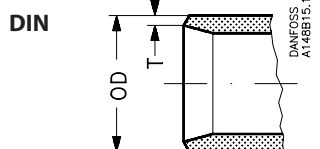
Data sheet | Safety relief valves, type SFA 15 and SFA 15-50

Connections



Size mm	Size in.	Inlet	Outlet			L mm	L in.	
15	½	G ¾	G 1			15	0.59	

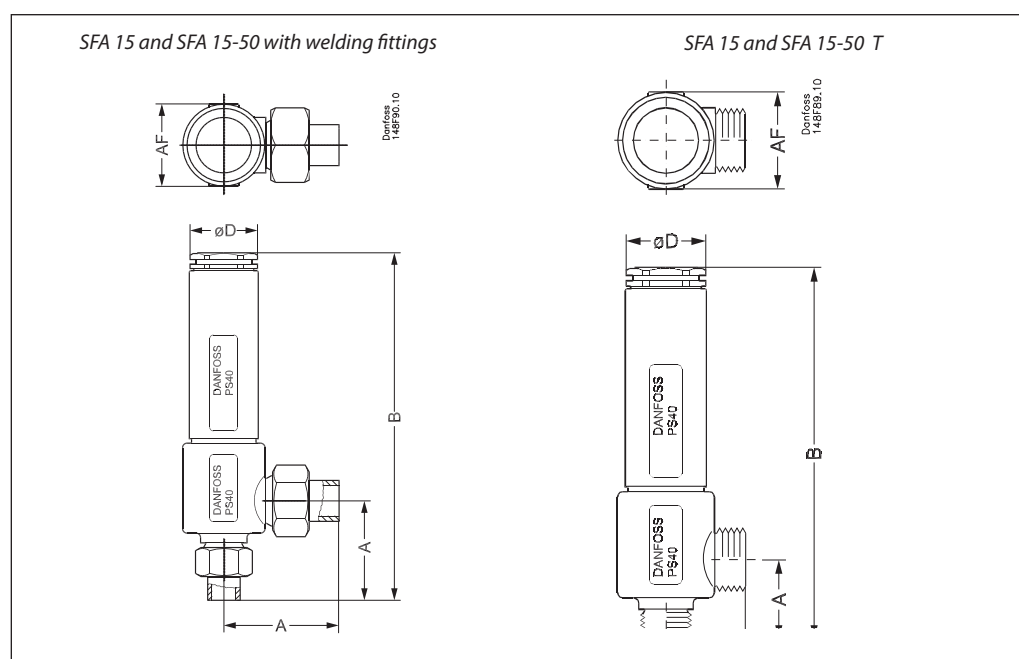
T outside pipe thread, (ISO 228/1)



Size mm	Size in.	Inlet (mm)		Inlet (in.)		Outlet (mm)		Outlet (in.)	
		OD	T	OD	T	OD	T	OD	T
15	½	21.3	2.3	0.839	0.091	26.9	2.3	1.059	0.091

Welding fittings, DIN (2448)

Dimensions and weights



Valve size		A	B	ØD	AF	Weight
<i>SFA 15 T, with threaded connections ISO 228/1 pipe threads</i>						
SFA 15 and SFA 15-50 T (½ in.)	mm in.	45 1.77	210 8.27	45 1.81	55 2.17	2.2 kg 4.9 lbs
<i>SFA with welding fittings, DIN 2448</i>						
SFA 15 and SFA 15-50 (½ in.)	mm in.	83 3.27	248 9.76	45 1.81	55 2.17	2.5 kg 5.5 lbs

Specified weights are approximate values only.

Ordering
Certified SFA valves with standard set pressure

Size		Type	Set pressure bar g (psi g)	Code number
mm	in.			
15	½	SFA 15 T 210	10 (145)	148F3210
15	½	SFA 15 T 211	11 (160)	148F3211
15	½	SFA 15 T 212	12 (174)	148F3212
15	½	SFA 15 T 213	13 (189)	148F3213
15	½	SFA 15 T 214	14 (203)	148F3214
15	½	SFA 15 T 215	15 (218)	148F3215
15	½	SFA 15 T 216	16 (232)	148F3216
15	½	SFA 15 T 217	17 (247)	148F3217
15	½	SFA 15 T 218	18 (261)	148F3218
15	½	SFA 15 T 219	19 (276)	148F3219
15	½	SFA 15 T 220	20 (290)	148F3220
15	½	SFA 15 T 221	21 (305)	148F3221
15	½	SFA 15 T 222	22 (319)	148F3222
15	½	SFA 15 T 223	23 (334)	148F3223
15	½	SFA 15 T 224	24 (348)	148F3224
15	½	SFA 15 T 225	25 (363)	148F3225
15	½	SFA 15 T 226	26 (377)	148F3226
15	½	SFA 15 T 227	27 (392)	148F3227
15	½	SFA 15 T 228	28 (406)	148F3228
15	½	SFA 15 T 229	29 (421)	148F3229
15	½	SFA 15 T 230	30 (435)	148F3230
15	½	SFA 15 T 231	31 (450)	148F3231
15	½	SFA 15 T 232	32 (464)	148F3232
15	½	SFA 15 T 233	33 (479)	148F3233
15	½	SFA 15 T 234	34 (493)	148F3234
15	½	SFA 15 T 235	35 (508)	148F3235
15	½	SFA 15 T 236	36 (522)	148F3236
15	½	SFA 15 T 237	37 (537)	148F3237
15	½	SFA 15 T 238	38 (551)	148F3238
15	½	SFA 15 T 239	39 (566)	148F3239
15	½	SFA 15 T 240	40 (580)	148F3240

Certified SFA valves with standard set pressure and TÜV pressure setting certificate with each valve

Size		Type	Set pressure bar g (psi g)	Code number
mm	in.			
15	½	SFA 15 T 310	10 (145)	148F3310
15	½	SFA 15 T 311	11 (160)	148F3311
15	½	SFA 15 T 312	12 (174)	148F3312
15	½	SFA 15 T 313	13 (189)	148F3313
15	½	SFA 15 T 314	14 (203)	148F3314
15	½	SFA 15 T 315	15 (218)	148F3315
15	½	SFA 15 T 316	16 (232)	148F3316
15	½	SFA 15 T 317	17 (247)	148F3317
15	½	SFA 15 T 318	18 (261)	148F3318
15	½	SFA 15 T 319	19 (276)	148F3319
15	½	SFA 15 T 320	20 (290)	148F3320
15	½	SFA 15 T 321	21 (305)	148F3321
15	½	SFA 15 T 322	22 (319)	148F3322
15	½	SFA 15 T 323	23 (334)	148F3323
15	½	SFA 15 T 324	24 (348)	148F3324
15	½	SFA 15 T 325	25 (363)	148F3325
15	½	SFA 15 T 326	26 (377)	148F3326
15	½	SFA 15 T 327	27 (392)	148F3327
15	½	SFA 15 T 328	28 (406)	148F3328
15	½	SFA 15 T 329	29 (421)	148F3329
15	½	SFA 15 T 330	30 (435)	148F3330
15	½	SFA 15 T 331	31 (450)	148F3331
15	½	SFA 15 T 332	32 (464)	148F3332
15	½	SFA 15 T 333	33 (479)	148F3333
15	½	SFA 15 T 334	34 (493)	148F3334
15	½	SFA 15 T 335	35 (508)	148F3335
15	½	SFA 15 T 336	36 (522)	148F3336
15	½	SFA 15 T 337	37 (537)	148F3337
15	½	SFA 15 T 338	38 (551)	148F3338
15	½	SFA 15 T 339	39 (566)	148F3339
15	½	SFA 15 T 340	40 (580)	148F3340

Certified SFA valves with standard set pressure

Size		Type	Set pressure bar g (psi g)	Code number
mm	in.			
15	½	SFA 15-50 T 210	10 (145)	148F4000
15	½	SFA 15-50 T 211	11 (160)	148F4001
15	½	SFA 15-50 T 212	12 (174)	148F4002
15	½	SFA 15-50 T 213	13 (189)	148F4003
15	½	SFA 15-50 T 214	14 (203)	148F4004
15	½	SFA 15-50 T 215	15 (218)	148F4005
15	½	SFA 15-50 T 216	16 (232)	148F4006
15	½	SFA 15-50 T 217	17 (247)	148F4007
15	½	SFA 15-50 T 218	18 (261)	148F4008
15	½	SFA 15-50 T 219	19 (276)	148F4009
15	½	SFA 15-50 T 220	20 (290)	148F4010
15	½	SFA 15-50 T 221	21 (305)	148F4011
15	½	SFA 15-50 T 222	22 (319)	148F4012
15	½	SFA 15-50 T 223	23 (334)	148F4013
15	½	SFA 15-50 T 224	24 (348)	148F4014
15	½	SFA 15-50 T 225	25 (363)	148F4015
15	½	SFA 15-50 T 226	26 (377)	148F4016
15	½	SFA 15-50 T 227	27 (392)	148F4017
15	½	SFA 15-50 T 228	28 (406)	148F4018
15	½	SFA 15-50 T 229	29 (421)	148F4019
15	½	SFA 15-50 T 230	30 (435)	148F4020
15	½	SFA 15-50 T 231	31 (450)	148F4021
15	½	SFA 15-50 T 232	32 (464)	148F4022
15	½	SFA 15-50 T 233	33 (479)	148F4023
15	½	SFA 15-50 T 234	34 (493)	148F4024
15	½	SFA 15-50 T 235	35 (508)	148F4025
15	½	SFA 15-50 T 236	36 (522)	148F4026
15	½	SFA 15-50 T 237	37 (537)	148F4027
15	½	SFA 15-50 T 238	38 (551)	148F4028
15	½	SFA 15-50 T 239	39 (566)	148F4029
15	½	SFA 15-50 T 240	40 (580)	148F4030

Certified SFA valves with standard set pressure and TÜV pressure setting certificate with each valve

Size		Type	Set pressure bar g (psi g)	Code number
mm	in.			
15	½	SFA 15-50 T 310	10 (145)	148F4100
15	½	SFA 15-50 T 311	11 (160)	148F4101
15	½	SFA 15-50 T 312	12 (174)	148F4102
15	½	SFA 15-50 T 313	13 (189)	148F4103
15	½	SFA 15-50 T 314	14 (203)	148F4104
15	½	SFA 15-50 T 315	15 (218)	148F4105
15	½	SFA 15-50 T 316	16 (232)	148F4106
15	½	SFA 15-50 T 317	17 (247)	148F4107
15	½	SFA 15-50 T 318	18 (261)	148F4108
15	½	SFA 15-50 T 319	19 (276)	148F4109
15	½	SFA 15-50 T 320	20 (290)	148F4110
15	½	SFA 15-50 T 321	21 (305)	148F4111
15	½	SFA 15-50 T 322	22 (319)	148F4112
15	½	SFA 15-50 T 323	23 (334)	148F4113
15	½	SFA 15-50 T 324	24 (348)	148F4114
15	½	SFA 15-50 T 325	25 (363)	148F4115
15	½	SFA 15-50 T 326	26 (377)	148F4116
15	½	SFA 15-50 T 327	27 (392)	148F4117
15	½	SFA 15-50 T 328	28 (406)	148F4118
15	½	SFA 15-50 T 329	29 (421)	148F4119
15	½	SFA 15-50 T 330	30 (435)	148F4120
15	½	SFA 15-50 T 331	31 (450)	148F4121
15	½	SFA 15-50 T 332	32 (464)	148F4122
5	½	SFA 15-50 T 333	33 (479)	148F4123
15	½	SFA 15-50 T 334	34 (493)	148F4124
15	½	SFA 15-50 T 335	35 (508)	148F4125
15	½	SFA 15-50 T 336	36 (522)	148F4126
15	½	SFA 15-50 T 337	37 (537)	148F4127
15	½	SFA 15-50 T 338	38 (551)	148F4128
15	½	SFA 15-50 T 339	39 (566)	148F4129
15	½	SFA 15-50 T 340	40 (580)	148F4130

Ordering

Repair kit

Type	Code number
Repair kit SFA 15	148F3036
Repair kit SFA 15-50	148F3150

Nipples and gaskets

Type	Code number
Nipples + gaskets set for SFV 15/SFA 15 and SFA 15-50	148F3019

